



PREPRODUCTION VEHICLE SHOWN THROUGHOUT. COMING EARLY 2014.



▶ The All-New 2014 **TRANSIT CONNECT**

THE MULTIPURPOSE VEHICLE FOR A MULTITUDE OF JOBS

Introducing a bold new expression of the multipurpose vehicle: the all-new 2014 Transit Connect. Available in customizable Van and Wagon models, Transit Connect appeals to anyone who has people to transport, cargo to haul, a business to run, teams to shuttle or simply needs to get the job done in the most efficient way possible.

TWO TRANSIT CONNECT MODELS TO GET THE JOB DONE

The all-new 2014 Transit Connect is purpose-built to meet the needs of an even broader range of customers. Both Van and Wagon models offer two wheelbase options, along with a host of choices that are tailored for a variety of uses. Whether for personal use or for business, the Ford Transit Connect is ready for anything.

WHAT'S INSIDE

INTRODUCTION	02
VAN — ASSESSING CUSTOMER NEEDS	04
VAN — MODEL LINEUP	05
WAGON — ASSESSING CUSTOMER NEEDS	08
WAGON — MODEL LINEUP	09
VEHICLE CONFIGURATIONS	12
SEATING OPTIONS	13
FEATURES OVERVIEW	14
PERSONAL PREFERENCES	16

Transit Connect Van is the ideal solution for people who need a flat load floor to transport tools, supplies, cargo or bulky items. Plumbers, electricians and professional tradespeople of all kinds will appreciate the large cargo capacity, low load floor height and convenient amenities designed to make their jobs easier.



Transit Connect Wagon brings exceptional flexibility to the multipurpose vehicle market. With a wide variety of convenient and premium options, Transit Connect Wagon appeals to a wide range of buyers. From taxis and shuttles to personal use transportation, the Transit Connect Wagon is the ideal vehicle to move people and their belongings comfortably.

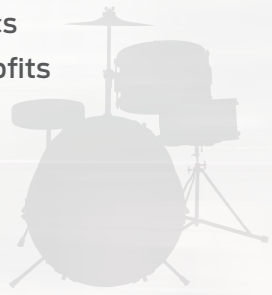
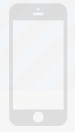


HELPING YOUR CUSTOMERS MAKE A DECISION



With so many ways to use the Transit Connect, it's important that you thoroughly assess your customers' needs before recommending a solution. The following pages are packed with tools to help.

- Customer needs assessment for both Van and Wagon
- Information to help differentiate between models
- Standard and optional equipment for each trim level
- Basic specifications
- Vehicle configurations
- Seating options
- Exterior colors
- Interior fabrics
- Wraps and upfits





TRANSIT CONNECT VAN

ASSESSING CUSTOMER NEEDS

From its ample payload and storage space to flexible wheelbase and seating options, the Built Ford Tough® Transit Connect Van is designed to meet the challenges of workplace demands. Begin your assessment by asking about the type of cargo they'll transport, and then go on from there.

Note: The assessment below covers the basic differences between the four Transit Connect Van configurations, and is a starting point for making a recommendation. This can be used in conjunction with the Selling U Needs Assessment.

For a full list of standard features and options, please see pages 05-07. For information on vehicle configurations and key glass options, see page 12.

CARRYING CARGO/EQUIPMENT



MODEL LINEUP

For information on vehicle configurations and key glass options, please see page 12.

VAN XL STANDARD EQUIPMENT

PERFORMANCE/HANDLING

- AdvanceTrac® with RSC® (Roll Stability Control™)
- Alternator – 150-amp
- Brakes – power 4-wheel disc with Anti-Lock Braking System (ABS)
- Drivetrain – front-wheel drive
- Emergency brake assist
- Engine – 2.5L i-VCT I-4
- Fuel tank – 15.8 gallons
- Hill start assist
- Steering – electric power-assisted steering (EPAS)
- Suspension
 - Independent MacPherson-strut front with stabilizer bar
 - Twist-beam rear with stabilizer bar
- Transmission – 6-speed SelectShift® automatic

QUALITY/RELIABILITY/DURABILITY

- 100,000-mile spark plug replacement interval⁽¹⁾
- Battery – maintenance-free

FLEXIBILITY

EXTERIOR

- Bumper – front, rear and end caps – gray, molded-in-color
- Door handles – black, molded-in-color
- Easy Fuel® (capless fuel filler)
- Grille – gray, molded-in-color with gray upper bar
- Headlamp bezel – black, molded-in-color
- Mirrors – manual adjust/fold, black, molded-in-color
- Moldings – body-side – gray, molded-in-color
- Remote Keyless Entry System with integrated keyhead transmitter
- SecuriLock® Passive Anti-Theft System
- Tire Pressure Monitoring System (TPMS)
- Wheels – 16" steel with XL full wheel covers and full-size spare
- Windows – power front with driver one-touch-down



FLEXIBILITY

INTERIOR

- 12-volt powerpoint in center console
- Airbags
 - Dual-stage front
 - 1st-row safety canopy side-curtain
 - Driver- and passenger-seat side
- Audio – AM/FM stereo/audio input jack and 2 front speakers
- Cargo tie-down hooks
- Climate control – manual front
- Door locks – power central single with one-step unlocking
- Floor covering – front/cargo area vinyl
- Seating – vinyl
 - Driver 2-way manual
 - Front-passenger 2-way manual, manual fold-down seatback
- Steering column – 4-way adjustable
- Steering wheel – 4-spoke
- Storage – front-row full-width overhead shelf with:
 - Grab handles
 - Retention netFlexibility



(1) 60,000 miles for extensive idling or low-speed driving for long distances, as in heavy commercial use.

VAN XL AVAILABLE EQUIPMENT

PERFORMANCE/HANDLING

- 1.6L EcoBoost® I-4 (99X)
- CNG/LPG Gaseous Engine Prep Package (98G, NA with 1.6L EcoBoost) (late availability)
- Engine block heater (41H)
- Trailer Tow Package (53T)
- Upfitter wiring harness (86G, LWB only)

FLEXIBILITY

- Cloth or vinyl, driver – 4-way manual seat with manual lumbar and 2-way manual fold-down seatback passenger seat (90M)
- Cloth or vinyl, driver – 4-way manual seat with manual lumbar and 2-way manual front-passenger seat (90N) (recommended when upfitting aftermarket bulkhead)
- AM/FM stereo with:
 - Single CD (582)
 - Single CD and SYNC® (584)
 - Single CD and rear view camera (58U)
 - Single CD, SYNC and rear view camera (58W)
- Crew Chief® powered by Telogis® (47C)
- Cruise control (525)
- Daytime running lamps (942)
- Electric rear window defroster (43D)
- Forward and Reverse Sensing System (76S)
- Reverse Sensing System (76R, included with 76S Forward and Reverse Sensing System)
- Front and rear splash guards/mud flaps (96F)
- Front all-weather floor mats (16V)



FLEXIBILITY CONT'D

- Key fobs (2 additional) (87R)
- Large exterior mirrors (recommended for trailer towing) (60L, only available with 545)
- Mirrors – power adjust/manual fold heated – black, molded-in-color skull caps (545, included with QuickClear electric windshield defroster)
- MyKey® (87K, requires cruise control)
- Perimeter Anti-Theft Alarm (65D)
- QuickClear electric windshield defroster – includes heated washer jets and power adjust, heated exterior mirrors (43W)
- Rear cargo area light – LED (76D)
- Rear privacy glass windows (2nd-row rearward) (924)
- Smoker's Package with one ashcup (94B)

VAN XLT STANDARD EQUIPMENT

INCLUDES ALL XL CONTENT, PLUS: FLEXIBILITY

EXTERIOR

- Badging – “XLT”
- Bumper – front and rear end caps – body-color, painted
- Fog lamps with body-color bezel
- Mirrors – power adjust/manual fold, heated – black, molded-in-color skull caps
- Wheels – 16” steel with XLT full wheel covers with full-size spare

INTERIOR

- 12-volt powerpoint in rear cargo area
- Audio – single CD/MP3
- Console – premium front center, closeable
- Cruise control
- Flooring – front with carpeted floor mats
- Instrumentation
 - 4.2" LCD Productivity Screen
 - Message center
- Lighting – dual front map lights
- MyKey®
- Rear privacy glass windows
- Seating – cloth
 - Driver 4-way manual with manual lumbar
 - Front-passenger 2-way manual, non-folding
- Steering wheel – 4-spoke leather-wrapped with Satin Chrome shells
- Storage – Front-row full-width overhead shelf with:
 - Grab handles
 - Retention net
 - Sunglasses holder
- Trim – complete rear board (included with rear cargo doors)
- Visors
 - Driver with vanity mirror and ticket strap
 - Passenger with vanity mirror



PERFORMANCE/HANDLING

- 1.6L EcoBoost® I-4 (99X)
- CNG/LPG Gaseous Engine Prep Package (98G, NA with 1.6L EcoBoost) (late availability)
- Engine block heater (41H)
- Trailer Tow Package (53T)
- Upfitter wiring harness (86G, LWB only)
- Wheels – 16" aluminum (with locking wheel lug nuts) (64F)

FLEXIBILITY

- Cloth, driver – 4-way manual seat with manual lumbar and front-passenger 2-way manual seat (90N)
- Adaptive cornering front fog lamps (94F)
- AM/FM stereo with:
 - Single CD and SYNC® (584)
 - Single CD, SYNC, SiriusXM Satellite radio and HD Radio™ (585)
 - Single CD and rear view camera (58U)
 - Single CD, SYNC and rear view camera (58W)
 - Single CD, SiriusXM Satellite radio, HD Radio, SYNC and rear view camera (58X)
- Auto headlamps (94A, requires 584, 585, 58W, 58X or 58Y)

FLEXIBILITY CONT'D

- Crew Chief® powered by Telogis® (47C)
- Daytime running lamps (942)
- Dual-zone electronic automatic temperature control (576)
- Electric rear window defroster (43D)
- Forward and Reverse Sensing System (76S)
- Reverse Sensing System (76R, included with 76S Forward and Reverse Sensing System)
- Front all-weather floor mats (16V)
- Front and rear splash guards/mud flaps (96F)
- 1st- and 2nd-row vinyl floor covering (18F)
- Key fobs (2 additional) (87R)
- Large exterior mirrors (recommended for trailer towing) (60L)
- MyFord Touch® with rear view camera (58Y)
 - Includes AM/FM stereo with single CD, SYNC, SiriusXM Satellite radio, HD Radio, 6.5" multifunction display touch screen and navigation



FLEXIBILITY CONT'D

- Perimeter Anti-Theft Alarm (65D)
- QuickClear electric windshield defroster – includes heated washer jets and power adjust, heated exterior mirrors (43W)
- Rear cargo area light – LED (76D)
- Remote Start System (66F)
- Smoker's Package with one ashcup (94B)



16" aluminum wheel with locking wheel lug nuts



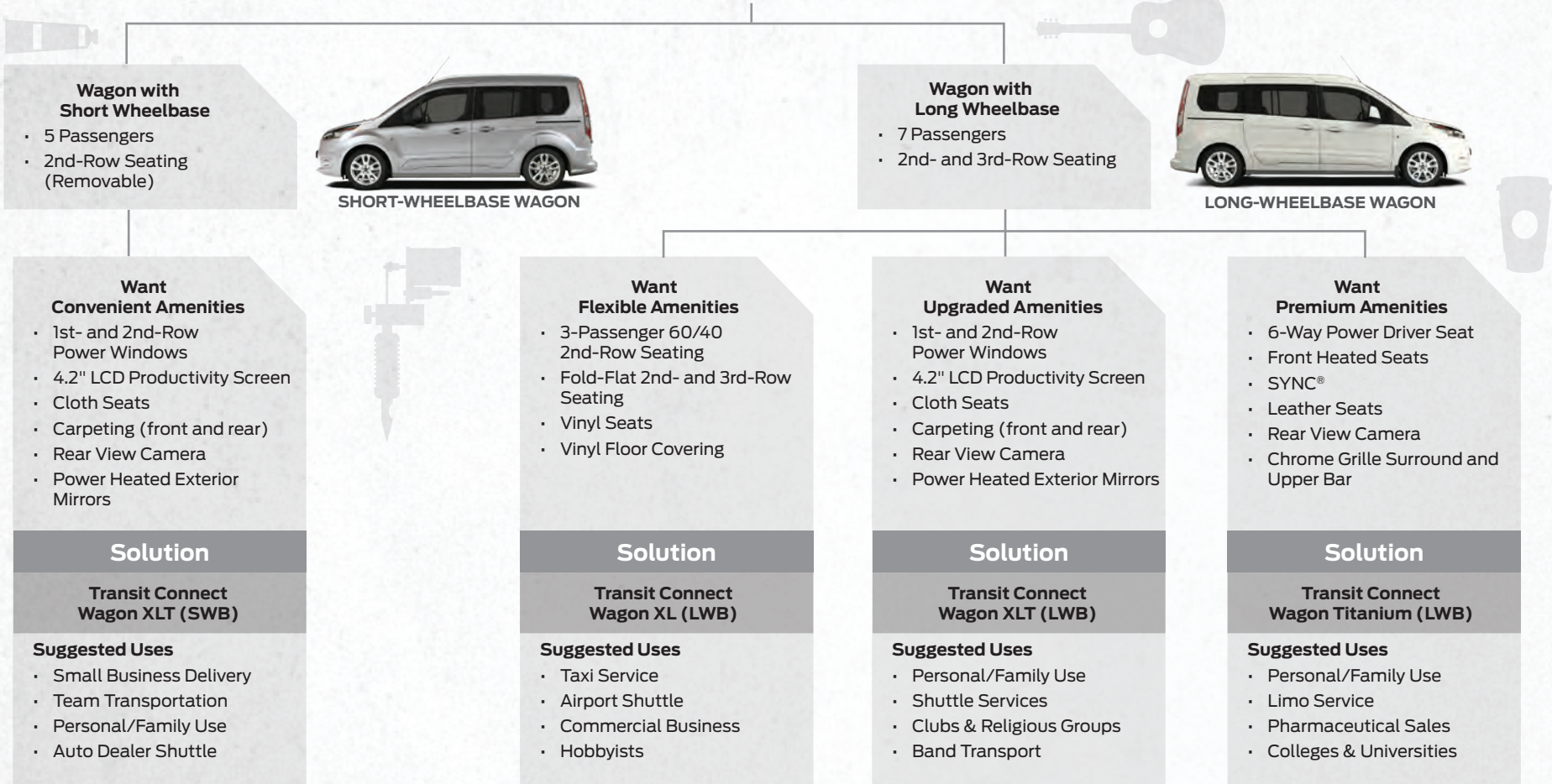
TRANSIT CONNECT WAGON

ASSESSING CUSTOMER NEEDS

Because the Transit Connect Wagon was designed with flexibility in mind, you may find that many customers want to use the vehicle for both passengers and cargo. Begin your assessment by asking about the maximum number of passengers they'll transport most of the time, and then go on from there.

Note: The assessment below covers the basic differences between the four Transit Connect Wagon configurations and is a starting point for making a recommendation. This can be used in conjunction with the Selling U Needs Assessment. For a full list of standard features and options, please see pages 09-11. For information on vehicle configurations, see page 12.

DUAL PURPOSE: CARRYING PEOPLE AND/OR CARGO



MODEL LINEUP

WAGON XL STANDARD EQUIPMENT

PERFORMANCE/HANDLING

- AdvanceTrac® with RSC® (Roll Stability Control™)
- Alternator – 150-amp
- Brakes – power 4-wheel disc with Anti-Lock Braking System (ABS)
- Drivetrain – front-wheel drive
- Emergency brake assist
- Engine – 2.5L i-VCT I-4
- Fuel tank – 15.8 gallons
- Hill start assist
- Steering – electric power-assisted steering (EPAS)
- Suspension
 - Independent MacPherson-strut front with stabilizer bar
 - Twist-beam rear with stabilizer bar
- Transmission – 6-speed SelectShift® automatic

QUALITY/RELIABILITY/ DURABILITY

- 100,00-mile spark plug replacement interval⁽¹⁾
- Battery – maintenance-free

FLEXIBILITY

EXTERIOR

- Bumper – front, rear and end caps – gray, molded-in-color
- Easy Fuel® (capless fuel filler)
- Grille – gray, molded-in-color with gray upper bar
- Headlamp bezel – black, molded-in-color
- Mirrors – manual adjust/fold, black, molded-in-color
- Moldings – body-side – gray, molded-in-color
- Remote Keyless Entry System with integrated keyhead transmitter (2)
- SecuriLock® Passive Anti-Theft System
- Tire Pressure Monitoring System (TPMS)
- Wheels – 16" steel with XL full wheel covers and full-size spare
- Windows
 - 1st-row power with driver one-touch-down
 - 2nd-row power
 - 3rd-row fixed

FLEXIBILITY

INTERIOR

- 12-volt powerpoints (3) – center console (2), rear cargo area (1)
- Airbags
 - Dual-stage front
 - 1st-, 2nd- and 3rd-row (LWB only) safety canopy side-curtain
 - Driver and passenger seat side
- Audio – AM/FM stereo/audio input jack, 2 front and 2 rear speakers
- Cargo tie-down hooks
- Climate control
 - Manual front
 - Rear seat with manual rear controls
- Console – premium front center, closeable
- Door locks – power central single with one-step unlocking
- Floor covering – front/rear vinyl and rear cargo area (includes 3rd row) vinyl
- Lighting – dual, front map lights
- Mirror – day/night
- Seating – vinyl
 - Front-passenger 2-way manual with manual fold-down seatback
 - Driver 4-way with manual lumbar
 - 2nd-row fold-flat seatbacks (3 passenger)
 - 3rd-row fold-flat seatbacks (2 passenger)
- Steering column – 4-way adjustable
- Steering wheel – 4-spoke
- Storage – front-row full-width overhead shelf with:
 - Grab handles
 - Retention net

(1) 60,000 miles for extensive idling or low-speed driving for long distances, as in heavy commercial use.

WAGON XL AVAILABLE EQUIPMENT

PERFORMANCE/HANDLING

- 1.6L EcoBoost® I-4 (**99X**)
- CNG/LPG Gaseous Engine Prep Package (**98G**, NA with 1.6L EcoBoost) (late availability)
- Engine block heater (**41H**)
- Taxi Package (**86T**) (late availability)
- Trailer Tow Package (**53T**, NA with Taxi Package)
- Upfitter wiring harness (**86G**, NA with Taxi Package)

FLEXIBILITY

- Adaptive cornering front fog lamps (**94F**, NA with Taxi Package)
- Aircraft-style mid-vehicle overhead console (**60M**, NA with Taxi Package)
- All-weather floor mats – front and rear (**164**)
- AM/FM stereo with:
 - Single CD (**582**, NA with Taxi Package)
 - Single CD and SYNC® (**584**, NA with Taxi Package)
 - Single CD and rear view camera (**58U**, NA with Taxi Package)
 - Single CD, SYNC and rear view camera (**58W**, included in Taxi Package)
- Cargo net kit vertical (**60V**)
- Crew Chief® powered by Telogis® (**47C**)
- Cruise control (**525**)
- Daytime running lamps (**942**)
- Electric rear window defroster (**43D**, available only with **55A**, included in Taxi Package)
- Forward and Reverse Sensing System (**76S**)
- Reverse Sensing System (**76R**, included with **76S** Forward and Reverse Sensing System)
- Front and rear splash guards/mud flaps (**96F**)
- Key fobs (2 additional) (**87R**, NA with Taxi Package)
- Mirrors – power adjust/manual fold heated – black, molded-in-color skull caps (**545**, included with QuickClear electric windshield defroster)
- MyKey® (**87K**, requires cruise control, NA with Taxi Package)
- Perimeter Anti-Theft Alarm System (**65D**, NA with Taxi Package)
- QuickClear electric windshield defroster – includes heated washer jets and power adjust, heated exterior mirrors (**43W**, NA with Taxi Package)
- Rear privacy glass windows (**924**)
- Smoker's Package with two ashcups (**94B**, NA with Taxi Package)

WAGON XLT STANDARD EQUIPMENT

INCLUDES ALL XL CONTENT, PLUS:

FLEXIBILITY

EXTERIOR

- Badging – “XLT”
- Bumper – front, rear and end caps – body-color, painted
- Door handles – body-color, painted
- Fog lamps with body-color bezel
- Mirrors – power adjust/manual fold, heated – black, molded-in-color
- Moldings, body-side – body-color, painted
- Wheels – 16" steel with XLT full wheel covers and full-size spare
- Windows
 - 1st-row power with driver one-touch-up/-down
 - 2nd-row power with one-touch-up/-down

FLEXIBILITY

INTERIOR

- Airbags
 - 1st- and 2nd-row curtain (SWB)
 - 1st-, 2nd- and 3rd-row curtain (LWB)
- Armrest – 2nd-row center, folding
- Audio – single CD/MP3 and rear view camera
- Climate control – rear seat with manual rear controls (LWB only)



INTERIOR CONT'D

- Cruise control
- Electric rear window defroster
- Flooring – front/rear and rear cargo area carpeted, with front carpeted floor mats
- Instrumentation
 - 4.2" LCD Productivity Screen
 - Compass and message center
- MyKey®
- Rear privacy glass windows
- Seating – cloth, 2nd-row 60/40 flip-and-tumble (3 passenger) (SWB only)
- Steering wheel – 4-spoke leather-wrapped with Satin Chrome shells
- Storage – front-row full-width overhead shelf with:
 - Grab handles
 - Retention net
 - Sunglasses holder
 - Child observation mirror
- Visors
 - Driver with vanity mirror and ticket strap
 - Passenger with vanity mirror



WAGON XLT AVAILABLE EQUIPMENT

PERFORMANCE/HANDLING

- 1.6L EcoBoost® I-4 (99X)
- Engine block heater (41H)
- Trailer Tow Package (53T)
- Upfitter wiring harness (86G, LWB only)
- Wheels
 - 16" aluminum (with locking wheel lug nuts) (64F)
 - 17" aluminum (with locking wheel lug nuts) (64E, available only with 1.6L EcoBoost)



FLEXIBILITY

- 1st- and 2nd-row vinyl floor covering (18F, available only with rear cargo vinyl floor cover)
- Adaptive cornering front fog lamps (94F)
- Aircraft style mid-vehicle overhead console (60M, NA with panoramic fixed glass roof)
- Aircraft style rear overhead console (60R, only available with panoramic fixed glass roof)
- AM/FM stereo with:
 - Single CD, SYNC® and rear view camera (58W)
 - Single CD, SYNC, SiriusXM Satellite radio, HD Radio™ and rear view camera (58X)



- All-weather floor mats – front and rear (164)
- Auto headlamps (94A, requires 584, 585, 58W, 58X or 58Y)
- Cargo net – kit vertical (60V)
- Crew Chief® powered by Telogis® (47C)
- Daytime running lamps (942)
- Dual-zone electronic automatic temperature control (DEATC) (576)
- Forward and Reverse Sensing System (76S)
- Reverse Sensing System (76R, included with 76S Forward and Reverse Sensing System)

FLEXIBILITY CONT'D

- Front and rear splash guards/mud flaps (96F, included with 17" alloy wheels)
- Key fobs (2 additional) (87R)
- Leather-trimmed, front 6-way power driver seat with manual lumbar and 2-way manual passenger seat with manual lumbar (90P)
- MyFord Touch® with rear view camera (58Y)
 - Includes AM/FM stereo receiver with single CD, SYNC, SiriusXM Satellite radio, HD Radio, 6.5" multifunction display touch screen and navigation
- Panoramic fixed glass roof (43M, NA with 180-degree rear symmetrical cargo doors)
 - Power shade
 - Roof rails (NA with roof rack)
- Perimeter Anti-Theft Alarm System (65D)
- QuickClear electric windshield defroster – includes heated washer jets (43W)
- Rear cargo vinyl floor cover (18P)
- Rear carpeted floor mats (18M, NA with 1st- and 2nd-row vinyl floor covering)
- Remote Start System (66F)
- Roof rack including crossbars (61X, NA with roof rails)
- Roof rails (61B, included with panoramic fixed glass roof)
- Smoker's Package with two ashcups (94B)

WAGON **TITANIUM** STANDARD EQUIPMENT

INCLUDES ALL XLT CONTENT, PLUS:

FLEXIBILITY

EXTERIOR

- Auto headlamps
- Badging – “TITANIUM”
- Front fog lamps with adaptive cornering
- Grille – chrome surround and upper bar front
- Headlamp bezel – chrome
- Mirrors – power adjust/fold, heated, body-color
- Wheels – 16" aluminum with locking wheel lug nuts and full-size spare
- Windshield wipers – rain-sensing
- Windshield – acoustic



FLEXIBILITY

INTERIOR

- Audio – AM/FM stereo with single CD, SYNC® and rear view camera, 4 front speakers (2 woofers and 2 tweeters)
- Climate control – dual-zone electronic automatic temperature control (DEATC)
- Compass display
- Flooring – front/rear and rear carpeted floor mats
- Glove compartment – locking
- Interior mirror – electrochromic auto-dimming rear view
- Seating – leather-trimmed
 - 1st-row heated seats
 - Driver 6-way power with manual lumbar/power recline with rear map pocket
 - Front-passenger 2-way manual with manual lumbar
- Shift knob – leather-wrapped
- Storage – front-passenger seatback map pockets
- SYNC



WAGON **TITANIUM** AVAILABLE EQUIPMENT

PERFORMANCE/HANDLING

- 1.6L EcoBoost® 16V DOHC I-4 (99X)
- Engine block heater (41H)
- Trailer Tow Package (53T)
- Upfitter wiring harness (86T)
- Wheels – 17" aluminum wheels with locking wheel lug nuts (64E, available only with 1.6L EcoBoost)



FLEXIBILITY

- Aircraft-style mid-vehicle overhead console (60M, NA with panoramic fixed glass roof)
- AM/FM stereo receiver with single CD, SYNC, SiriusXM Satellite radio, HD Radio™ and rear view camera (58X)
- All-weather floor mats – front and rear (164)
- Cargo net kit – vertical (60V)
- Crew Chief® powered by Telogis® (47C)
- Daytime running lamps (942)
- Forward and Reverse Sensing System (76S)
- Reverse Sensing System (76R, included with 76S Forward and Reverse Sensing System)
- Front and rear splash guards/mud flaps (96F, included with 17" alloy wheels)
- Key fobs (2 additional) (87R)
- MyFord Touch® with rear view camera (58Y)
 - Includes AM/FM stereo receiver with single CD, SYNC, SiriusXM Satellite radio, HD Radio, 6.5" multifunction display touch screen and navigation
- Panoramic fixed glass roof (43M)
 - Power shade
 - Roof rails (NA with roof rack)
- Perimeter Anti-Theft Alarm System (65D)
- Remote Start System (66F)
- Roof rack including crossbars (61X, NA with roof rails)
- Roof rails (61B, included with panoramic fixed glass roof)
- QuickClear electric windshield defroster – includes heated washer jets (43W)
- Smoker's Package with two ashcups (94B)



VEHICLE CONFIGURATIONS

There are several different orderable configurations for Transit Connect based on model, trim level and wheelbase. The charts below will give you an overview to help with vehicle ordering.

TRANSIT CONNECT VAN

BODY STYLE	VAN XL SWB (Order Code 100A)	VAN XL LWB (Order Code 100A)	VAN XLT SWB (Order Code 110A)	VAN XLT LWB (Order Code 110A)
180-degree rear symmetrical cargo doors – no 2nd-row or rear door glass	S6E	S7E	S6F	S7F
Rear liftgate with fixed glass – no 2nd-row glass	E6E	E7E	E6F	E7F

KEY GLASS OPTIONS	VAN XL SWB (Order Code 100A)	VAN XL LWB (Order Code 100A)	VAN XLT SWB (Order Code 110A)	VAN XLT LWB (Order Code 110A)
2nd-row fixed glass on both sides	59C Available only with S6E . Requires 180-degree rear symmetrical doors with fixed-rear-door glass (55A)	59F Available only with S7E . Requires 180-degree rear symmetrical doors with fixed-rear-door glass (55A)	59C Available only with S6F . Requires 180-degree rear symmetrical doors with fixed-rear-door glass (55A)	59F Available only with S7F . Requires 180-degree rear symmetrical doors with fixed-rear-door glass (55A)
2nd-row fixed glass on passenger side only	59D Available only with S6E . NA with 180-degree rear symmetrical doors with fixed-rear-door glass (55A)	59G Available only with S7E . NA with 180-degree rear symmetrical doors with fixed-rear-door glass (55A)	59D Available only with S6F . NA with 180-degree rear symmetrical doors with fixed-rear-door glass (55A)	59G Available only with S7F . NA with 180-degree rear symmetrical doors with fixed-rear-door glass (55A)
180-degree rear symmetrical doors with fixed-rear-door glass	55A	55A	55A	55A

TRANSIT CONNECT WAGON

BODY STYLE	WAGON XL LWB (Order Code 200A)	WAGON XLT SWB (Order Code 210A)	WAGON XLT LWB (Order Code 210A)	WAGON TITANIUM LWB (Order Code 310A)
180-degree rear symmetrical cargo doors – includes power 2nd-row windows and fixed 3rd-row/rear-door glass	S9E	—	—	—
Rear liftgate with fixed glass – includes power 2nd-row windows and fixed 3rd-row glass	E9E	—	—	—
180-degree rear symmetrical doors – includes one-touch-up/-down 2nd-row power windows and fixed 3rd-row/rear-door glass	—	S8F	S9F	—
Rear liftgate with fixed glass – includes one-touch-up/-down 2nd-row power windows and fixed 3rd-row glass	—	E8F	E9F	E9G

TRANSIT CONNECT | VAN AND WAGON
SEATING OPTIONS



There is an impressive level of seating flexibility and interior fabric choices available on Transit Connect.

2-passenger Seating – Van XL, XLT

- Standard driver/front-passenger vinyl bucket seats on XL
- Standard driver/front-passenger cloth bucket seats on XLT

5-passenger Seating – Wagon XLT

- Standard driver/front-passenger cloth bucket seats

7-passenger Seating – Wagon XL, XLT, Titanium

- Standard driver/front-passenger vinyl bucket seats on XL
- Standard driver/front-passenger cloth bucket seats on XLT
- Standard driver/front-passenger leather-trimmed bucket seats on Titanium

Wagon models feature 2nd- and 3rd-row seating with room for any combination of people and cargo:

- 2nd-row 60/40 split-fold-flat seat (3 passenger)
- 3rd-row fold-flat seat backs (2 passenger)

This chart will come in handy as you help customers make the selections that best suit their needs.

MODEL	SWB	LWB	2ND-ROW SEATING	3RD-ROW SEATING
Van XL	■	■	NA	NA
Van XLT	■	■	NA	NA
Wagon XL	NA	■	■	■
Wagon XLT	■	■	(SWB/LWB)	(LWB)
Wagon Titanium	NA	■	■	■



FEATURES OVERVIEW

Purpose-built to appeal to a variety of buyers, the 2014 Transit Connect Vans and Wagons deliver attractive styling and more choices than ever before, while incorporating the smart technologies that make Ford vehicles enjoyable to drive.



FLEXIBILITY

Short- and long-wheelbase options offer Van and Wagon customers enhanced flexibility and productivity.

- Customizable cargo area
- Door and glass choices
- Available SYNC®
- Available SYNC with MyFord Touch®
- Available rear view camera
- Available parking aids



Door and Glass Choices

- [A] Dual-sliding side doors with no glass (Vans)
- [B] Dual-sliding side doors with fixed glass (Vans and Wagons)
- [C] Rear cargo symmetrical doors with no glass (Vans)
- [D] Rear cargo symmetrical doors with fixed glass (Vans and Wagons)
- [E] Rear cargo liftgate with fixed glass (Vans and Wagons)
- [F] Dual-sliding side doors with fixed glass on passenger side only (Vans) (image not shown)

PERFORMANCE

Transit Connect is ready for the road with two new engines, a SelectShift® transmission plus an impressive list of performance and efficiency features.

- New 2.5L I-4 Engine
- Available new 1.6L EcoBoost® Engine
- New 6-speed SelectShift® Automatic Transmission
- Available CNG/LPG Gaseous Engine Prep Package (available on 2.5L I-4 engine only – late availability)
- Torque Vectoring Control



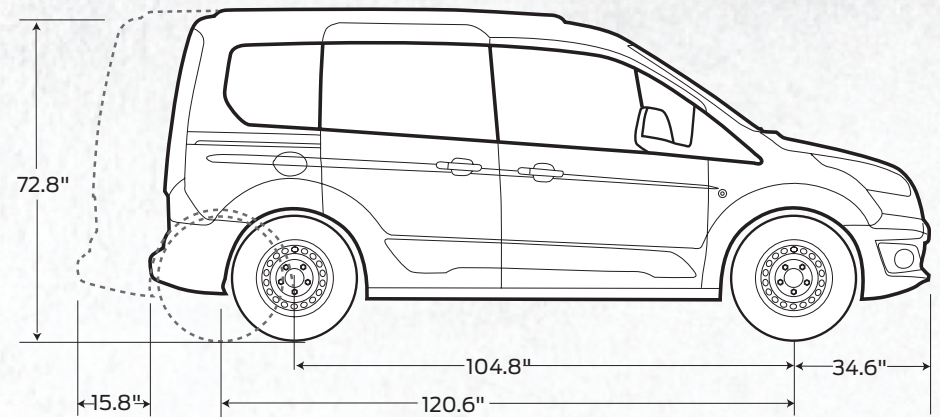
CAPABILITY

The hardworking Transit Connect is strong and flexible enough to carry passengers and cargo in a variety of combinations.

- Impressive payload
- Flexible cargo space
- Towing capability
- Seating for up to 7
- Versatile seating
- Small turning radius
- Ample storage (for businesses or busy people on the go)
- Up to 10 beverage holders, including in-tray cupholders and bottle holders

Maximum payload (Van):
more than 1,670 lbs.

Maximum payload (Wagon):
more than 1,140 lbs.



DESIGN

The dynamic, stylish exterior sets Transit Connect apart from anything else on the road.

- Sleek Exterior with unique paint choices
- Accommodating Interior
- Choice of 5 interior fabrics
- Available Panoramic fixed glass roof
- Mobile Business Card
- Recessed headlamps



Interior Fabrics

- Pewter Vinyl (EK)
- Charcoal Black Cloth – XL (6B)
- Charcoal Black Cloth – XLT (7B)
- Medium Stone Cloth (7L)
- Leather-trimmed Medium Stone (8L)



Exterior Colors

WAGON ONLY

- Deep Impact Blue (J4)
- Burnished Glow (NT)
- School Bus Yellow (BY)
(Taxi Package [86T] only)
- Tectonic Silver (HI)
- Solar (S4)
- Frozen White (Z2)
- Race Red (PQ)
- Midnight Sky (J5)
- Dark Blue (UV)
- Silver Metallic (TY)
- Panther Black Metallic (UE)

PERSONAL PREFERENCES

When it comes to customizing Transit Connect, the possibilities are nearly endless.

MOBILE BUSINESS CARD

Large side panels enable business customers to add **Custom Graphics by Original Wraps™** and turn their new Transit Connect into a rolling advertisement.

- Customers can choose from a wide variety of vinyl designs or upload their own
- Wraps are printed with only the finest 3M™ vinyl and laminated for protection
- Wraps are all removable, residue-free, durable and scratch-resistant
- Visit fordcommercialgraphics.com for additional information

UPFITTING TRANSIT CONNECT VAN

With the new online Racks and Bins Configurator, it's now easier than ever to deliver customized racks-and-bins ship-thru packages for Transit Connect Van models.

Customize upfit packages with a drag-and-drop interactive tool that lets your customers visualize the van interior before placing the order.

Choose products from the best names in the upfit business — Adrian Steel®, Masterack® and Sortimo®.

Save time — Using transitupfits.com makes placing orders easy and less time-consuming. Vehicles are delivered to your dealership fully equipped to your customers' specifications.

